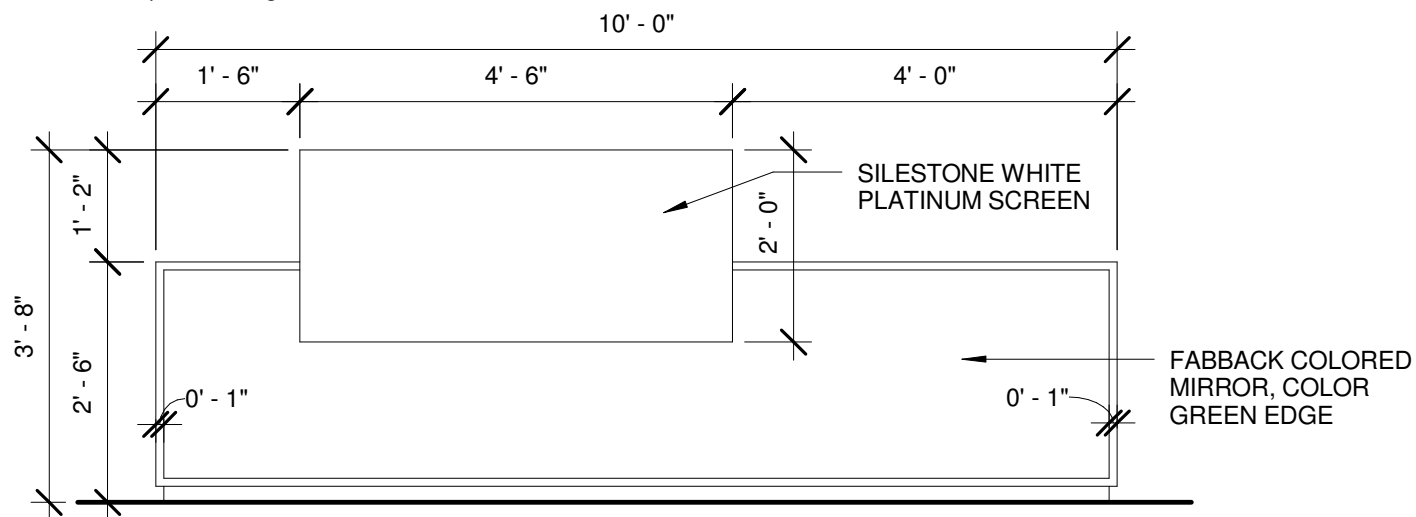
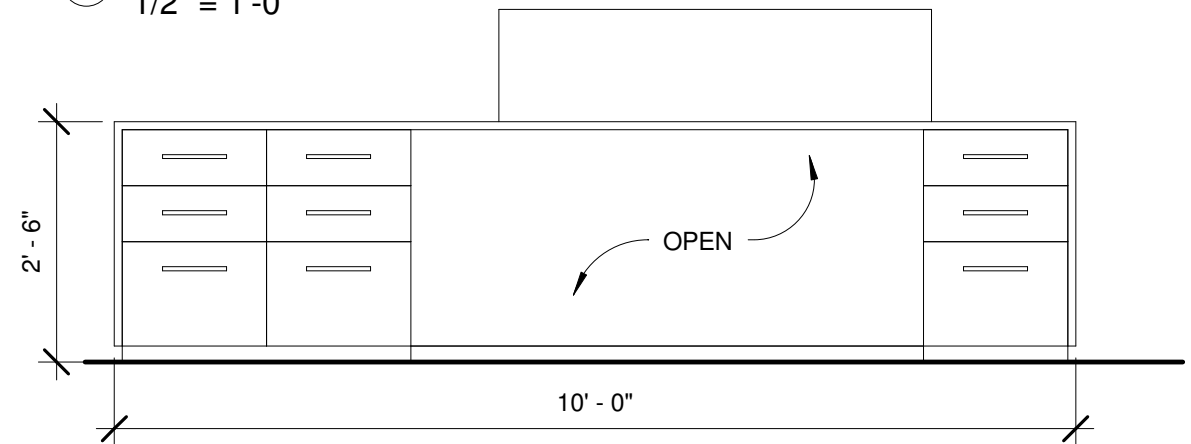


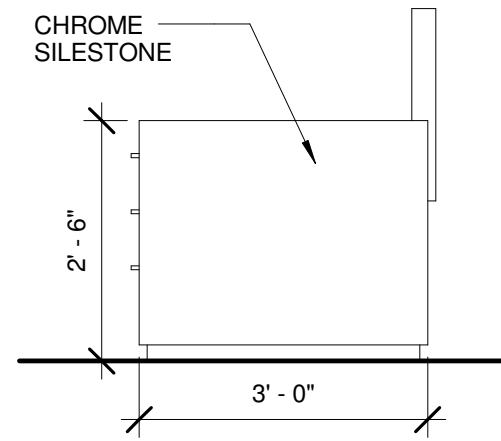
1 TOP VIEW
1/2" = 1'-0"



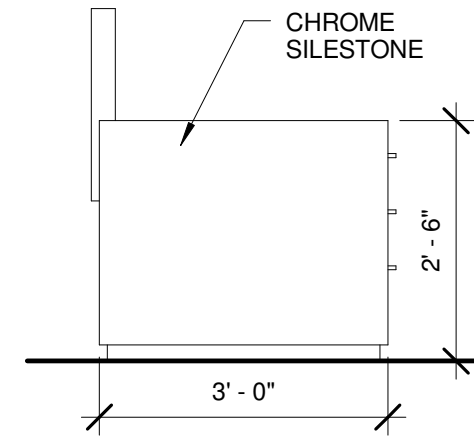
2 FRONT VIEW
1/2" = 1'-0"



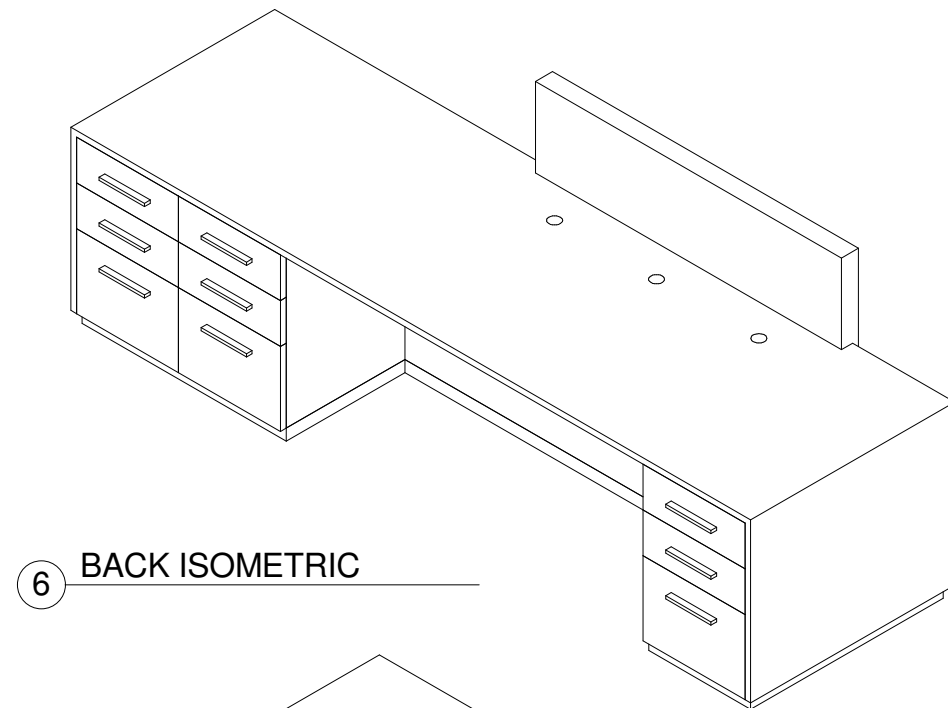
3 BACK VIEW
1/2" = 1'-0"



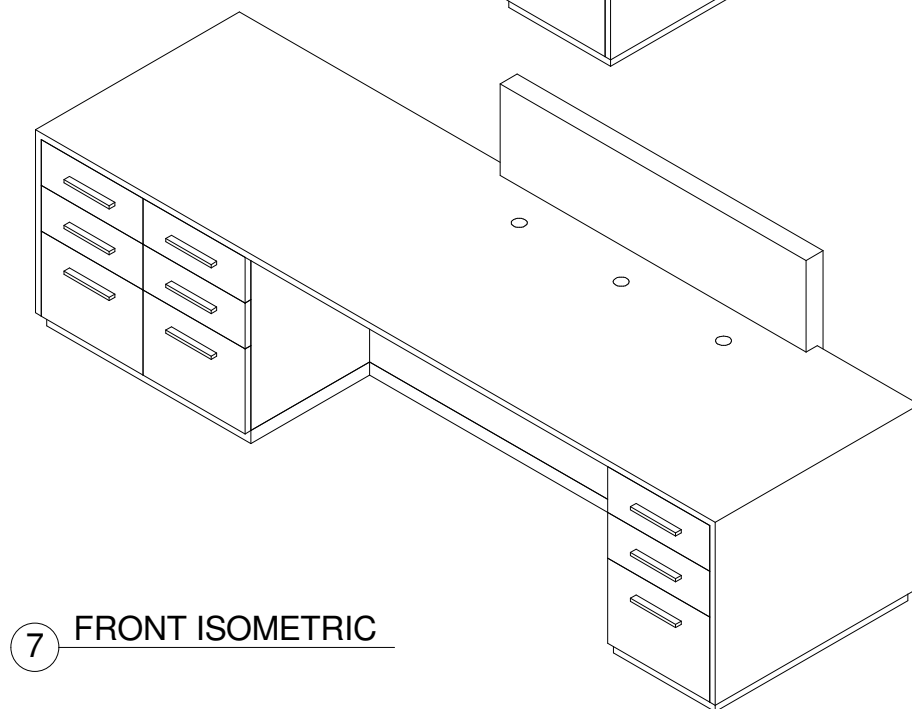
4 LEFT VIEW
1/2" = 1'-0"



5 RIGHT ELEVATION
1/2" = 1'-0"



6 BACK ISOMETRIC



7 FRONT ISOMETRIC